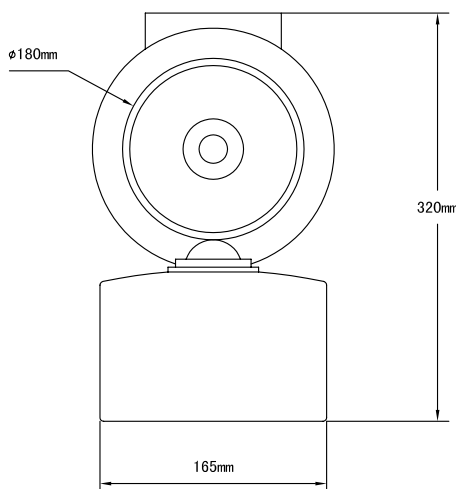


# Solar Security Warning Light

## 太阳能安全警示灯



**S3-4**

Solar Security  
Warning Light  
(MSL-J)

### Item No.: MSL-J006-1

- Solar cell: Crystalline silicon 4V/100mA
- Storage component: Ni-Cd AA 2pcs 1.2V/1000mAh battery  
Ni-Mh battery available
- Light source: 2pcs of super bright LEDs
- Power of consumption: 0.05W
- Color of light: Red or Amber
- Flash Frequency: flashing 60+3 times/min(adjustable)  
Constant burning mode available
- Work Temperature: -20 to +60 °C
- Work Time: Over 12 hrs after 1 sunny day charge,  
3-5 nights contineously if fully charged
- Visible distance: 650-700 m
- IP rate: IP66
- Product size: 165x320mm N.w.: 0.44kg
- Life time: 3 years on everage

### 型号: MSL-J006-1

- 太阳能板: 晶体硅 4V/100mA
- 储能元件: Ni-Cd (Ni-Mh) AA 2pcs 1.2V/1000mAh
- 光源: 2pcs 超高亮度 LEDs
- 发光颜色: 红或黄色
- 闪烁频率: 60+3次/分钟 (可调), 或恒亮模式
- 工作温度: -20 ~ +60 °C
- 工作时间: 正常晴天状态下每晚连续工作12小时以上  
电池充饱电时可连续供电3晚
- 可视距离: 650-700 m
- 防护等级: IP66
- 产品尺寸: 165x320mm 净重: 0.44kg
- 使用寿命: 平均寿命3年



**MORSTAR**  
ELECTRIC TECHNOLOGY