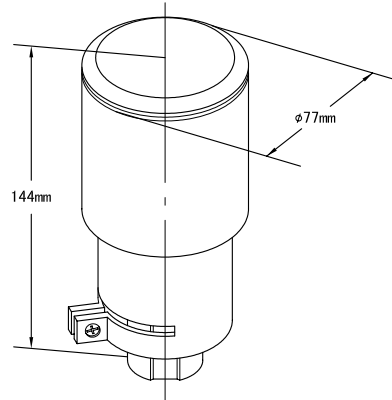


Solar Security Warning Light

太阳能安全警示灯

S3-1

Solar Security
Warning Light
(MSL-J)



Item No.: MSL-J001

- Material of light: Super light-permeability polycarbonate (PC)
- Solar cell: Crystalline silicon 2.3V/100mA
- Storage component: Ni-MH HT AA 1.2V/1800mAh battery
- Light source: 6pcs of super bright LEDs
- Color of light: Red, green, blue, white, yellow
- Flash Frequency: 90+5 times/min(adjustable)
- Work Temperature: -20 to +60 °C
- Work Time: Over 12 hrs after 1 sunny day charge,
3 nights contineously if battery fully charged
- Visible distance: More than 800m
- IP rate: IP67
- Product size: Φ72x150mm N.w.: 0.26kg
- Life time: Over 3 years (fitted with Ni-Mh battery)

型号: MSL-J001

- 灯体材质: 高透明性聚碳酸酯(PC)
- 太阳能板: 晶体硅 2.3V/100mA
- 储能元件: Ni-MH AA 1.2V/1800mAh (耐高温电池)
- 光源: 6pcs 超高亮度 LEDs
- 发光颜色: 红、绿、蓝、白、黄(可任一选择)
- 闪烁频率: 90+5次/分钟 (可调)
- 工作温度: -20 ~ +60 °C
- 工作时间: 正常晴天状态下每晚连续工作12小时以上
电池充饱电时可连续供电3晚
- 可视距离: 大于 800m
- 防护等级: IP67
- 产品尺寸: Φ72x150mm 净重: 0.26kg
- 使用寿命: 平均寿命3年(配Ni-MH电池)



MORSTAR
ELECTRIC TECHNOLOGY