

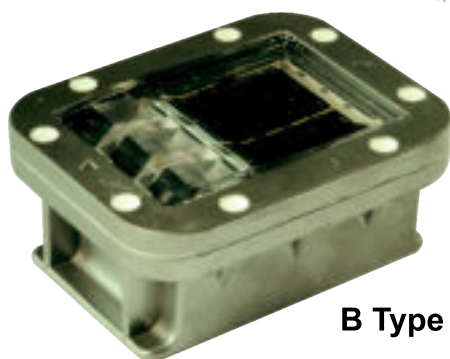
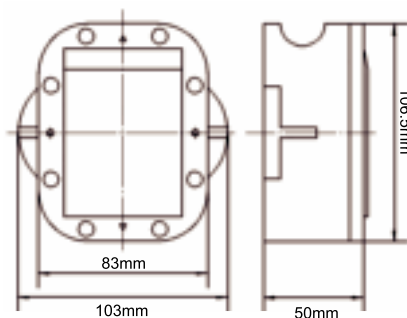
Solar Road Stud 太阳能道钉

S2-8

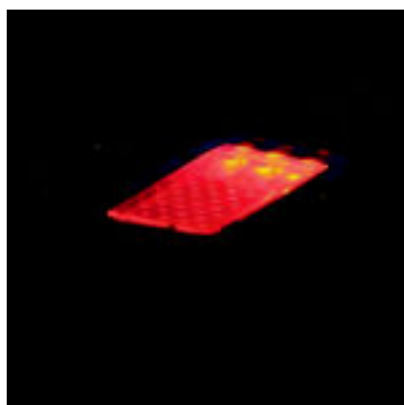
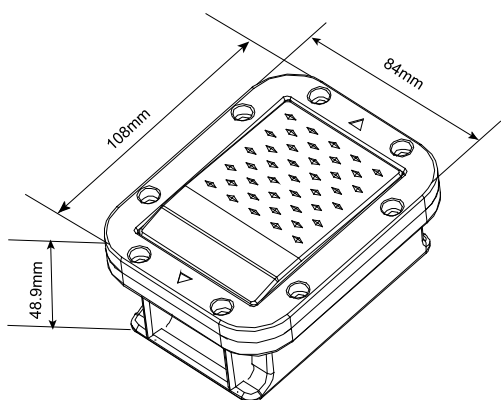
Solar Road Stud
(MSL-R)



A Type



B Type



Item No.: MSL-R18 A/B

- Material of light: Aluminium alloy and PC
- Solar cell: Crystalline silicon 2.5V/140mA
- Storage component: Ni-MH AA 1.2V/1200mAh battery; or super capacitor 2.3V/120F
- Light source: 1 x 3pcs of Φ 10mm super bright LEDs
- Color of light: Red, green, blue, white, yellow
- Light mode: Flash type, frequency is adjustable
- Work Temperature: -25 to $+7$ °C
- Work Time: Over 12 hrs after 1 sunny day charge, 3 nights continuously if battery fully charged
- Visible distance: More than 800m
- Compression Resistance: 16 tons
- IP rate: IP67
- Product size: A type: 106.5x103x50mm N.w.: 0.75kg
B type: 108x84x48.9mm N.w.: 0.45kg
- Life time: Over 3 years (fitted with Ni-Mh battery)
Over 8 years (fitted with super capacitor)

型号: MSL-R18 A/B

- 灯体材质: 铝合金和PC
- 太阳能板: 晶体硅 2.5V/140mA
- 储能元件: Ni-MH AA 1.2V/1200mAh (耐高温电池) 或者2.3V/120F超级电容
- 光源: 1 x 3pcs Φ 10mm 超高亮度 LEDs
- 发光颜色: 红、绿、蓝、白、黄(可任一选择)
- 发光模式: 闪烁, 频率可调
- 工作温度: -25 ~ $+75$ °C
- 工作时间: 正常晴天状态下每晚连续工作12小时以上
电池充电时可连续供电3晚
- 可视距离: 大于 800m
- 抗压指数: 16吨
- 防护等级: IP67
- 产品尺寸: A款: 106.5x103x 50mm 净重: 0.75kg
B款: 108x84x48.9mm 净重: 0.45kg
- 使用寿命: 平均寿命3年(配Ni-MH电池)
平均寿命8年(配超级电容)