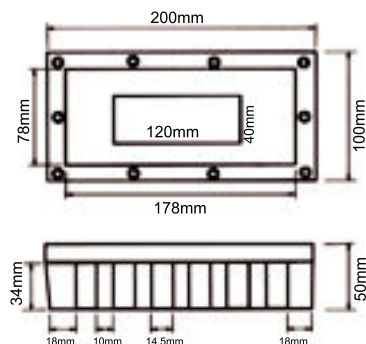


# Solar Brick

## 太阳能地砖灯

S1-8

Solar Brick &  
Inground Light  
(MSL-B)



### Item No.: MSL-B700

- Material of light: Super light-permeability polycarbonate(PC)
- Solar cell: Crystalline silicon 4V/160mA
- Storage component: Ni-MH HT AA 1.2V/2400mAh battery; or 2.3V/120F super capacitor
- Light source: 6pcs of super bright LEDs
- Color of light: Red, green, blue, white, yellow
- Light mode: One color constant type
- Work Temperature: -25 to +75°C
- Work Time: Over 12 hrs after 1 sunny day charge, 3 nights continuously if battery fully charged
- Visible distance: More than 800m
- IP rate: IP67
- Product size: 200x100x50mm N.w.: 0.7kg
- Life time: Over 3 years (fitted with Ni-Mh battery)  
Over 8 years (fitted with super capacitor)

### 型号: MSL-B700

- 灯体材质: 高透光性聚碳酸酯 (PC)
- 太阳能板: 晶体硅 4V160mA(配电池)
- 储能元件: Ni-MH AA 1.2V/2400mAh (耐高温电池) 或者2.3V/120F超级电容
- 光源: 6pcs 超高亮度 LEDs
- 发光颜色: 红、绿、蓝、白、黄(可任一选择)
- 发光模式: 单色恒亮
- 工作温度: -25 ~ +75 °C
- 工作时间: 正常晴天状态下每晚连续工作12小时以上  
电池充电时连续供电3晚
- 可视距离: 大于 800m
- 防护等级: IP67
- 产品尺寸: 200x100x50mm 净重: 0.7kg
- 使用寿命: 平均寿命3年(配Ni-MH电池)  
平均寿命8年(配超级电容)



MORSTAR  
ELECTRIC TECHNOLOGY