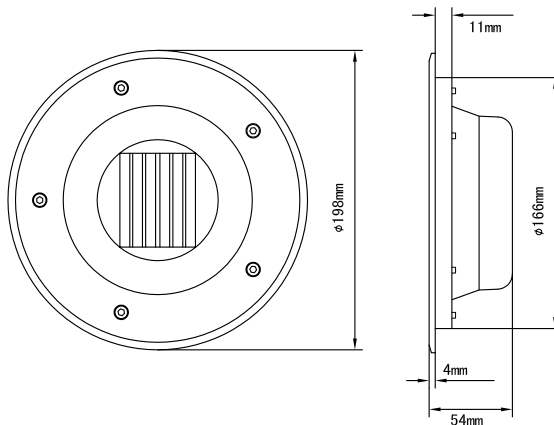
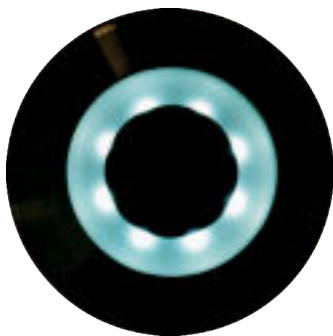
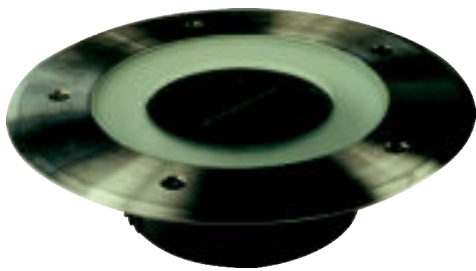


Solar Inground Light

太阳能地埋灯

S1-22

Solar Brick &
Inground Light
(MSL-G)

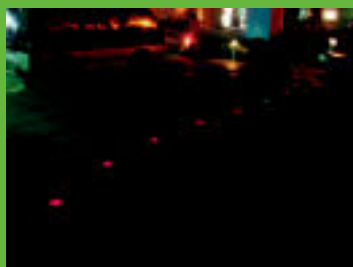


Item No.: MSL-G09

- Material of light: Super light-permeability polycarbonate (PC) with stainless steel ring and aluminium body
- Solar cell: Crystalline silicon 3.0V/100mA
- Storage component: Ni-MH HT AA 1.2V/1500mAh battery or super capacitor 2.3V/480F
- Light source: 8pcs Super bright LEDs
- Color of light: Red, green, blue, white, yellow
- Light mode: Constant type
- Work Temperature: -25 to +75 °C
- Work Time: Over 12 hrs after 1 sunny day charge, 3 nights continuously if battery fully charged
- Visible distance: More than 800m
- IP rate: IP67
- Product size: Φ 198x54mm N.w.: 1.30kg
- Life time: Over 3 years (fitted with Ni-Mh battery)
Over 8 years(fitted with super capacitor)

型号: MSL-G09

- 灯体材质: 高透明性聚碳酸酯(PC), 不锈钢圈与铸铝件外壳
- 太阳能板: 晶体硅 3.0V/100mA
- 储能元件: Ni-MH AA 1.2V/1500mAh (耐高温电池) 或者超级电容2.3V/480F
- 光源: 8pcs超高亮度 LEDs
- 发光颜色: 红、绿、蓝、白、黄(可任一选择)
- 发光模式: 恒亮
- 工作温度: -25 ~ +75 °C
- 工作时间: 正常晴天状态下每晚连续工作12小时以上
电池充饱电时可连续供电3晚
- 可视距离: 大于 800m
- 防护等级: IP67
- 产品尺寸: Φ 198x54mm 净重: 1.30kg
- 使用寿命: 平均寿命3年(配Ni-MH电池)
平均寿命8年(配超级电容)



MORSTAR
ELECTRIC TECHNOLOGY