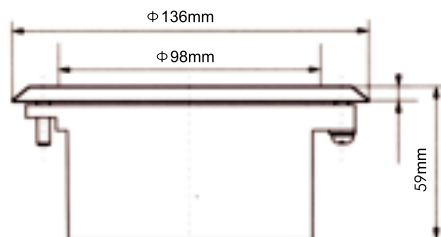


Solar Inground Light

太阳能地埋灯

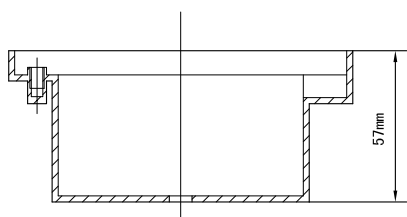
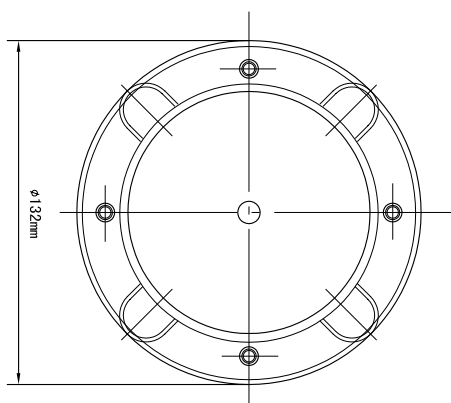
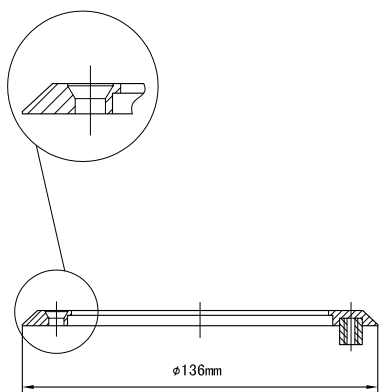
S1-20

Solar Brick &
Inground Light
(MSL-G)



Hardware Fitting(optional)

预埋件尺寸图(选购)



Item No.: MSL-G90

- Material of light: Metal shell and antiskid reinforce glass
- Solar cell: Crystalline silicon 2.5V/180mA
- Storage component: Ni-MH HT AA 1.2V/1600mAh battery or 2.3V/360F super capacitor
- Light source: 6pcs of super bright LEDs
- Color of light: Red, green, blue, white, yellow
- Light mode: One color constant light type
- Work Temperature: -25 to +80 °C
- Work Time: Over 12 hrs after 1 sunny day charge, 3 nights continuously if battery fully charged
- Visible distance: More than 800m
- Hardware fittings: Metal mounting case for optional
- IP rate: IP67
- Product size: Φ 136x59mm N.w.: 1.0kg
- Life time: Over 3 years (fitted with Ni-Mh battery)
Over 8 years (fitted with super capacitor)

型号: MSL-G90

- 灯体材质: 金属壳体及防滑钢化玻璃
- 太阳能板: 晶体硅 2.5V/180mA
- 储能元件: Ni-MH AA 1.2V/1600mAh (耐高温电池) 或者2.3V/360F 超级电容
- 光源: 6pcs 超高亮度 LEDs
- 发光颜色: 红、绿、蓝、白、黄(可任一选择)
- 发光模式: 单色恒亮
- 工作温度: -25 ~ +80 °C
- 工作时间: 正常晴天状态下每晚连续工作12小时以上
电池充电电时可连续供电3晚
- 可视距离: 大于 800m
- 五金配件: 不锈钢面板及铸铝预埋件(供选购)
- 防护等级: IP67
- 产品尺寸: Φ 136x59mm 净重: 1.0kg
- 使用寿命: 平均寿命3年(配Ni-MH电池)
平均寿命8年(配超级电容)



MORSTAR
ELECTRIC TECHNOLOGY