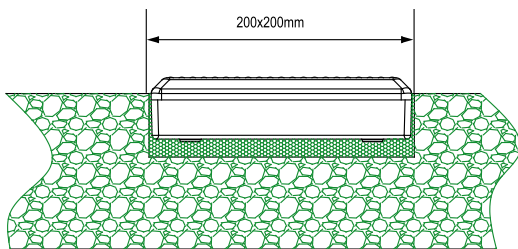
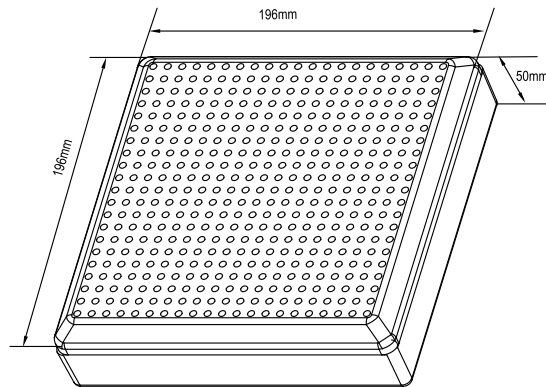
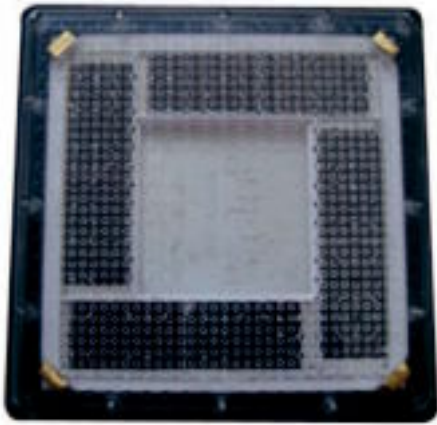


# Solar Brick 太阳能地砖灯



Double lighting sources available:  
Bright white around and  
R-G-B colorful change in the middle



## Item No.: MSL-B200A

- Material of light: Super light-permeability and anti-skip PC
- Solar cell: Crystalline silicon 4V/520mA
- Storage component: Ni-MH HT AA 1.2V/4800mAh battery; or 2.3V/480F super capacitor
- Light source A: 4pcs ultra bright white SMD LEDs (or other color available)  
Constant light mode
- Light source B: 6pcs ultra bright dia5mm LEDs  
R-G-B colorful changing mode, creat 7 colors
- Work Temperature: -25 to +75 °C
- Work Time: Over 12 hrs after 1 sunny day charge, 3 nights continuously if battery fully charged
- Visible distance: More than 800m
- IP rate: IP67
- Product size: 196x196x50mm N.w.: 1.35kg
- Life time: Over 3 years (fitted with Ni-Mh battery)  
Over 8 years (fitted with super capacitor)

## 型号: MSL-B200A

- 灯体材质: 高透明性聚碳酸酯(PC)
- 太阳能板: 晶体硅 4.0V/520mA(配电池);
- 储能元件: Ni-MH AA 1.2V/4800mAh  
或者2.3V/480F超级电容
- 光源A: 4pcs 贴片超高亮度 LEDs (恒亮模式,白色或其他颜色)
- 光源B: 6pcs dia 5mm 超高亮度 LEDs(七彩变光)
- 发光模式: 单色恒亮+七彩变光
- 工作温度: -25 ~ +75 °C
- 工作时间: 正常晴天状态下每晚连续工作12小时以上  
电池充饱电时可连续供电3晚
- 可视距离: 大于 800m
- 防护等级: IP67
- 产品尺寸: 196x196x50mm 净重: 1.35kg
- 使用寿命: 平均寿命3年(配Ni-MH电池)  
平均寿命8年(配超级电容)

S1-13

Solar Brick &  
Inground Light  
(MSL-B)